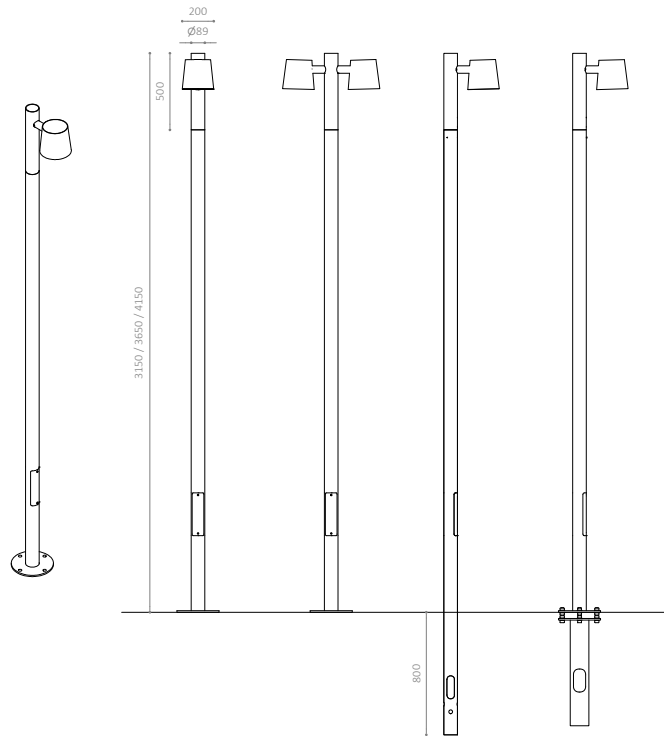


ANTO L1014





## ANTO L1014 - POST LIGHT WITH CYLINDRICAL MAST

DESIGN: VE2

### LIGHT DISTRIBUTION

Direct, symmetrical or asymmetrical light distribution. Possibility of project-adapted light distribution via a wide selection of light distribution lenses and reflectors.

### MATERIALS

**Lamp housing:** Untreated corten steel, hot-dip galvanised steel or powder-coated, hot-dip galvanised steel

**Shade:** Impact-resistant polycarbonate clear or opal white

**Post:** Untreated corten steel, hot-dip galvanised steel or powder-coated, hot-dip galvanised steel

### DIMENSIONS

Height: 3150 / 3650 / 4150 mm  
 Post: Ø 88,9 mm  
 Lamp housing: Ø206 mm. Depth 365 mm  
 Weight: 41 / 46 / 51 kg

### LUMINOUS FLUX

Luminous efficacy: >134 Lm/W  
 Lumen, 70 Ra: 3000K: 1206-3216LM,  
 4000K: 1264-3372LM

### LIGHT SOURCE

LED type: Philips Fortimo FastFlex G4+  
 Operational life: >120.000 hours v/Ta 25° C. L80B10  
 Total consumption: Standard 15W (9-24W)  
 Colour temperature: 3000K, 4000K  
 Colour rendering: CRI>70  
 Colour accuracy: 3 steps SDCM

### DRIVER

Driver type: Philips Xitanium  
 Operational life: >100.000 hours  
 Surge protection: >10 kV  
 Control: Compatible with Dynadimmer, 1-10V by default. Compatible with DALI, Zhaga book 18 as optional extra.

### INSTALLATION

For casting or flange mounting

### CONNECTION

3 cables max 5 x 10 mm<sup>2</sup>. Connection box and fuse are included

### CLASSIFICATION

IP66, IK10, Insulation safety class II

### CERTIFICATION

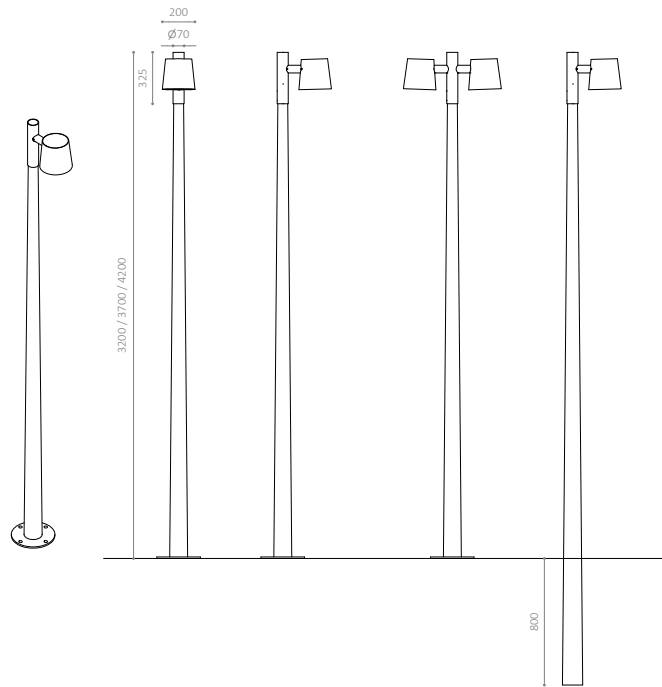
ANTO L1014 is Dark Sky Approved by DarkSky International. 3000k or lower must be selected to meet DarkSky International certification criteria.

Lampas



Certified by DarkSky.org

Lampas.com



## ANTO L1014 - POST LIGHT WITH CONICAL MAST

DESIGN: VE2

### LIGHT DISTRIBUTION

Direct, symmetrical or asymmetrical light distribution. Possibility of project-adapted light distribution via a wide selection of light distribution lenses and reflectors.

### MATERIALS

**Lamp housing:** Untreated corten steel, hot-dip galvanised steel or powder-coated, hot-dip galvanised steel

**Shade:** Impact-resistant polycarbonate clear or opal white

**Post:** Untreated corten steel, hot-dip galvanised steel or powder-coated, hot-dip galvanised steel

### DIMENSIONS

Height: 3200 / 3700 / 42000 mm  
 Post: Ø 60,3 mm  
 Lamp housing: Ø206 mm. Depth 345 mm  
 Weight: 41 / 46 / 51 kg

### LUMINOUS FLUX

Luminous efficacy: >134 Lm/W  
 Lumen, 70 Ra: 3000K: 1206-3216LM,  
 4000K: 1264-3372LM

### LIGHT SOURCE

LED type: Philips Fortimo FastFlex G4+  
 Operational life: >120.000 hours v/Ta 25° C. L80B10  
 Total consumption: Standard 15W (9-24W)  
 Colour temperature: 3000K, 4000K  
 Colour rendering: CRI>70  
 Colour accuracy: 3 steps SDCM

### DRIVER

Driver type: Philips Xitanium  
 Operational life: >100.000 hours  
 Surge protection: >10 kV  
 Control: Compatible with Dynadimmer, 1-10V by default. Compatible with DALI, Zhaga book 18 as optional extra.

### INSTALLATION

For casting or flange mounting

### CONNECTION

3 cables max 5 x 10 mm<sup>2</sup>. Connection box and fuse are included

### CLASSIFICATION

IP66, IK10, Insulation safety class II

### CERTIFICATION

ANTO L1014 is Dark Sky Approved by DarkSky International. 3000k or lower must be selected to meet DarkSky International certification criteria.

Lampas



Certified by DarkSky.org

Lampas.com