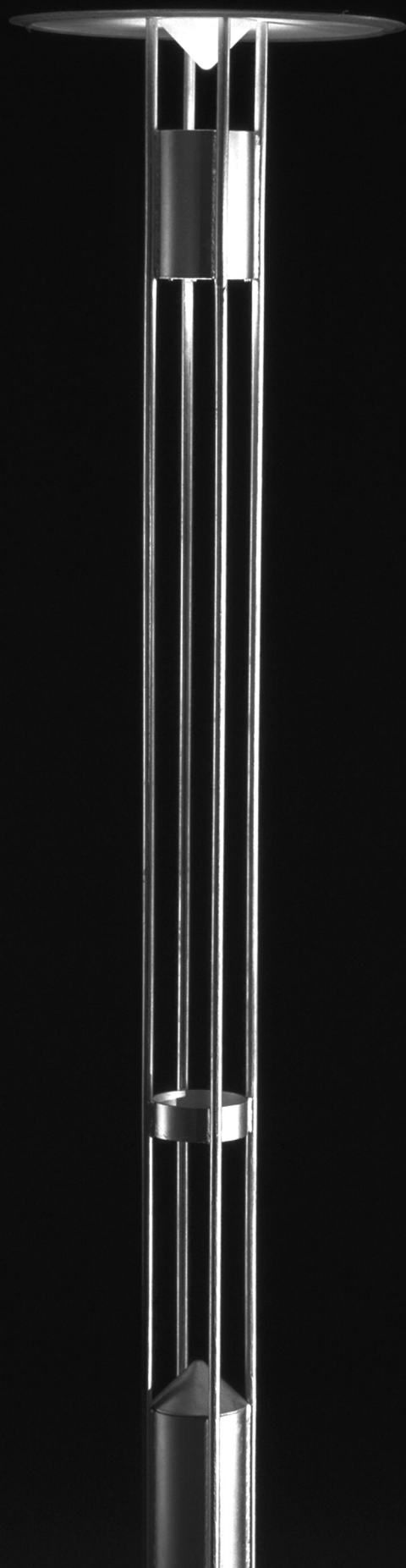
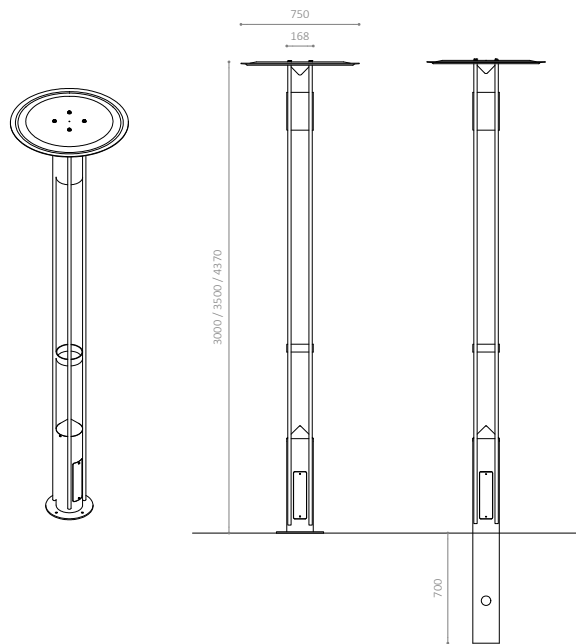


KONUS L1202





KONUS L1202 - POST LIGHT

DESIGN: TORBEN RIX, OLE BRUHN

LIGHT DISTRIBUTION

Direct and rotationally symmetrical light distribution

MATERIALS

Lamp housing: Hot-dip galvanised steel or powder coated, hot-dip galvanised steel

Shade: Polycarbonate, clear. UV resistant

DIMENSIONS

Height: 3000 / 3500 / 4370 mm

Lamp housing: Ø750 mm

Weight: 54 / 57 / 87 kg

LIGHT SOURCE

Type: E27. Light source is not included and must be ordered separately

INSTALLATION

Embedding or flange mounting

CONNECTION

3 cables max 5 x 10 mm². Connection box and fuse are included

CLASSIFICATION

IP44, IK10, Insulation safety class II

Lampas