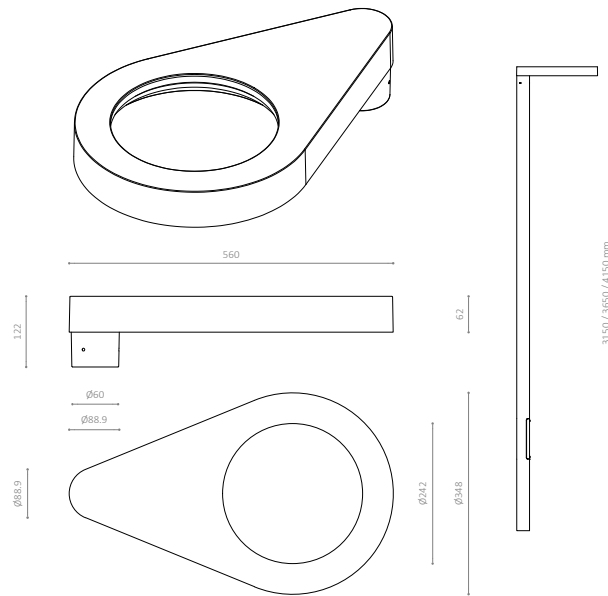


OTTO L1700





OTTO L1700 - POST LIGHT

DESIGN: JOHANNES LINDNER DESIGN STUDIO

LIGHT DISTRIBUTION

Direct and rotationally symmetrical distribution of light

MATERIALS

Lamp housing: Lamp housing in mold cast aluminium, powder-coated.

Shade: Solid opaque acrylic

Post: Hot-dip galvanised steel or powder-coated, hot-dip galvanised steel

DIMENSIONS

Height: 2700 / 3200 / 3700 mm
 Post: Ø 88,9 mm
 Lamp housing: H:62 x W:346 x D:560 mm
 Weight: 41 / 46 / 51 kg

LUMINOUS FLUX

Luminous efficacy: 63 Lm/W @3000K, CRI 80
 Lumen: max 1512 Lm @3000K, CRI 80

LIGHT SOURCE

LED type: Custom Lampas design
 Operational life: min. 80.000 hours at Tc 85° C.
 L80B20
 Total consumption: Standard 17W (max 24W)
 Colour temperature: 2700K, 3000K, 4000K
 Colour rendering: min. CRI 80 (Std.), min. CRI 90 (Opt.)
 Colour accuracy: 3 steps SDCM

DRIVER

Driver type: Philips Xitanium
 Operational life: Min. 100.000 hours
 Surge protection: L/N-EQUI 10 kV
 Control: Compatible with Dynadimmer, 1-10V by default. Compatible with DALI, Zhaga book 18 as optional extra.

INSTALLATION

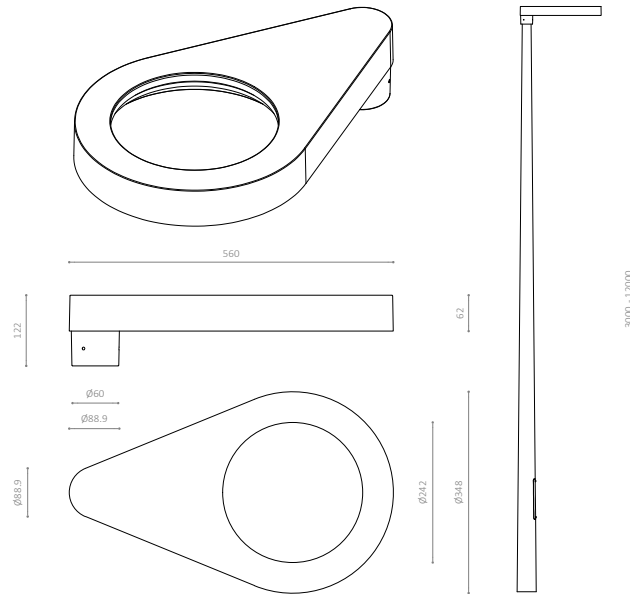
Embedding or flange mounting. Can also be mounted on top of a Ø60 mm pole.

CONNECTION

3 cables max 5 x 10 mm². Connection box and fuse are included

CLASSIFICATION

CE, IPx5, IK10, Insulation safety class II



OTTO L1700 - POST LIGHT FIXTURE

DESIGN: JOHANNES LINDNER DESIGN STUDIO

LIGHT DISTRIBUTION

Direct and rotationally symmetrical distribution of light

MATERIALS

Lamp housing: Lamp housing in mold cast aluminium, powder-coated.

Shade: Solid opaque acrylic

DIMENSIONS

Lamp housing: H:62 x W:346 x D:560 mm

Weight: 6,4 kg

LUMINOUS FLUX

Luminous efficacy: 99,9 Lm/W

Lumen: >5295LM @3000K, 80Ra

LIGHT SOURCE

LED type: Custom Lampas design

Operational life: >100.000 hours at Ta 25° C. L80B10

Total consumption: Standard 17W (max 24W)

Colour temperature: 2700K, 3000K, 4000K

Colour rendering: min. CRI 80 (Std.), min. CRI 90 (Opt.)

Colour accuracy: 3 steps SDCM

DRIVER

Driver type: Philips Xitanium

Operational life: Min. 100.000 hours

Surge protection: L/N-EQUI 10 kV

Control: Compatible with Dynadimmer, 1-10V by default. Compatible with DALI, Zhaga book 18 as optional extra.

INSTALLATION

For top mounting. Fits Ø60 mm pole top

CONNECTION

4M cable 2x1 mm² included

CLASSIFICATION

CE, IPx5, IK10, Insulation safety class II