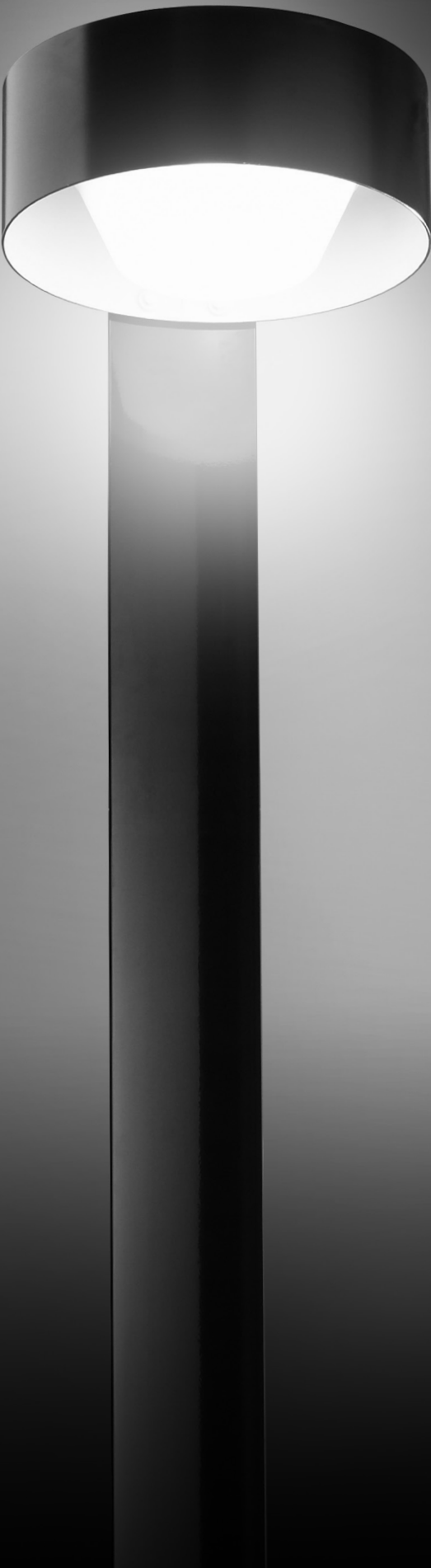
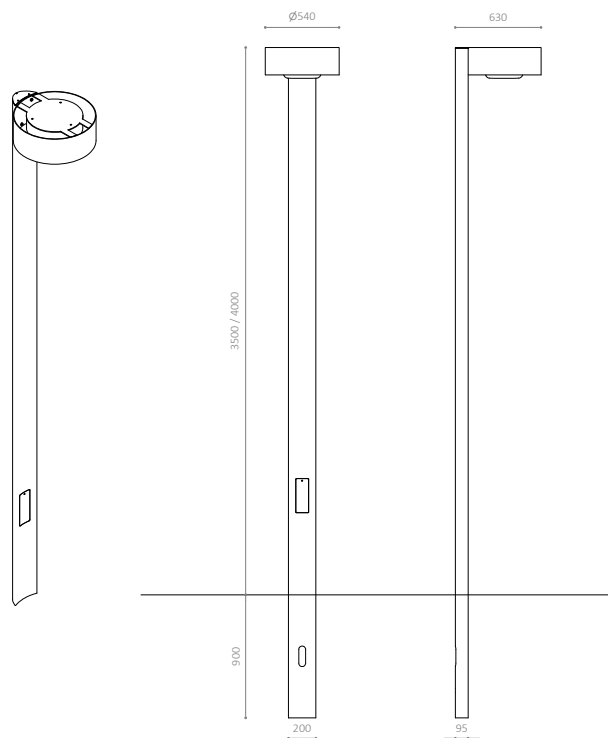


KILDEBJERG L910





## KILDEBJERG L910 - POST LIGHT

DESIGN: ANNE QVIST DESIGN OFFICE

### LIGHT DISTRIBUTION

Direct and rotationally symmetrical light distribution

### MATERIALS

**Lamp housing:** Black anodised aluminium, powder coated white inside.

**Shade:** Shockproof polycarbonate opal satiné

**Post:** Black anodised aluminium

### DIMENSIONS

Height: 3500 / 4000 mm  
 Post: Ø200 x 95 mm  
 Lamp housing: Ø540 mm. Depth 630 mm  
 Weight: 40 / 45 kg

### LUMINOUS FLUX

Luminous efficacy: >122 Lm/W  
 Lumen, 80 Ra: 3000K: 1458-4860LM,  
 4000K: 1530-5103LM

### LIGHT SOURCE

LED type: Bridgelux VERO SE series Gen7  
 Operational life: >100.000 timmar v/Ta max 25° C.  
 L80B10  
 Total consumption: Standard 30W (12-40W)  
 Colour temperature: 3000K, 4000K  
 Colour rendering: CRI>80  
 Colour accuracy: 3 steps SDCM

### DRIVER

Driver type: Philips Xitanium  
 Operational life: > 100.000 hours  
 Surge protection: >10 kV  
 Control: Compatible with Dynadimmer, 1-10V by default. Compatible with DALI as optional extra.

### INSTALLATION

For embedding

### CONNECTION

3 cables max 5 x 10 mm<sup>2</sup>. Connection box and fuse are included

### CLASSIFICATION

IP44, IK08, Insulation safety class II