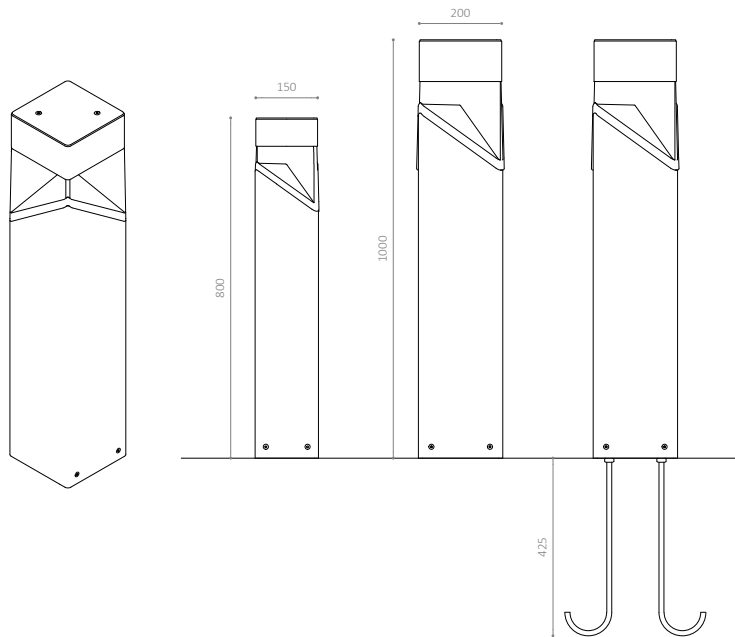


FACET L104





## FACET L104 - BOLLARD LIGHT

DESIGN: JAN FUGL & KAI HANSEN

### LIGHT DISTRIBUTION

The unique reflector design gives an indirect and asymmetrical light distribution

### MATERIALS

**Lamp housing:** Hot-dip galvanised steel or powder coated, hot-dip galvanised steel

**Shade:** Impact resistant polycarbonate, clear

### DIMENSIONS

Height: 1000 mm  
 Wide: 200 x 200 mm  
 Weight: 32 kg

### LUMINOUS FLUX

Luminous efficacy: 31 Lm/W  
 Lumen, 80 Ra: 3000K: 835 LM, 4000K: 877 LM

### LIGHT SOURCE

LED type: Bridgelux VERO SE series Gen7  
 Operational life: >100.000 hours at Ta 25° C. L80B10  
 Total consumption: 27W  
 Colour temperature: 3000K, 4000K  
 Colour rendering: CRI >80  
 Colour accuracy: 3 steps SDCM

### DRIVER

Driver type: Mean Well LPF  
 Operational life: >50.000 hours  
 Surge protection: None  
 Control: None

### INSTALLATION

Inner, concealed base plate with 4 anchors for embedding. Anchors included

### CONNECTION

3 cables max 5 x 10 mm<sup>2</sup>. Connection box and fuse are included

### CLASSIFICATION

IP54, IK10, Insulation safety class II