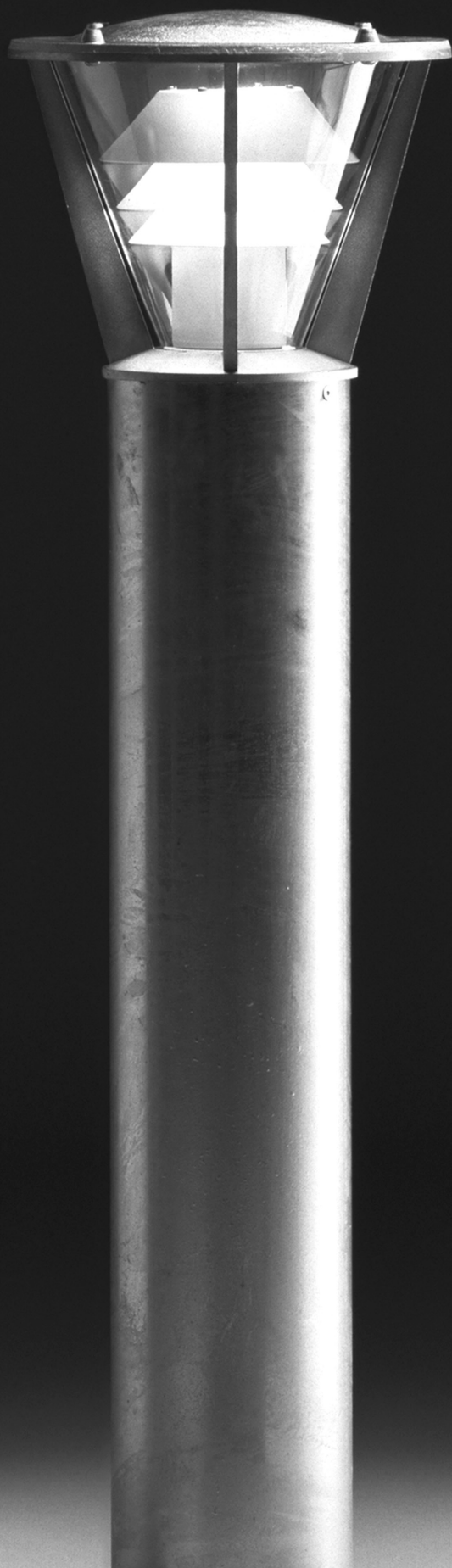
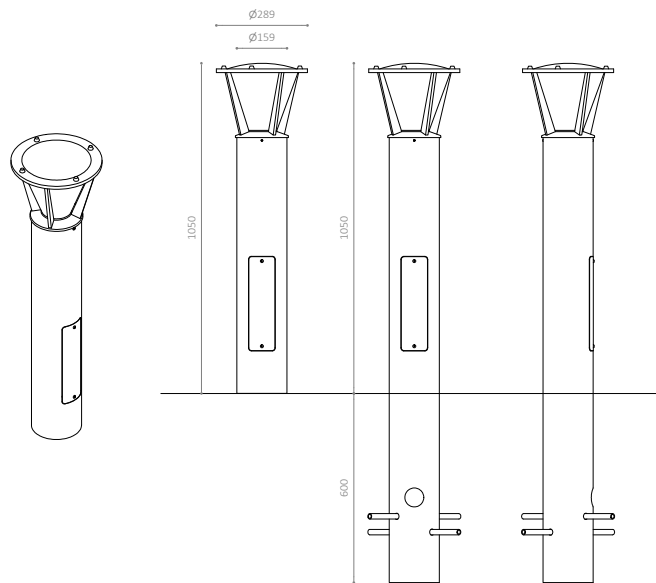


VEKSØ L1101





## VEKSØ L1101 - BOLLARD LIGHT

DESIGN: TOM STEPP

### LIGHT DISTRIBUTION

Direct and rotationally symmetrical light distribution

### MATERIALS

**Lamp housing:** Cast, untreated aluminum or cast, powder coated aluminum. Reflectors in anodised aluminum

**Shade:** Clear, impact resistant acrylic. UV resistant

**Post:** Hot-dip galvanised steel or powder coated, hot-dip galvanised steel

### DIMENSIONS

Height: 1050 mm  
Post: Ø159 mm  
Lamp housing: Ø289 mm. Height 235 mm  
Weight: 25,9 kg

### LIGHT SOURCE

LED type: E27. Light source is not included and must be ordered separately

### INSTALLATION

Embedding

### CONNECTION

3 cables max 5 x 10 mm<sup>2</sup>. Connection box and fuse are included

### CLASSIFICATION

IP44, IK10, Insulation safety class II