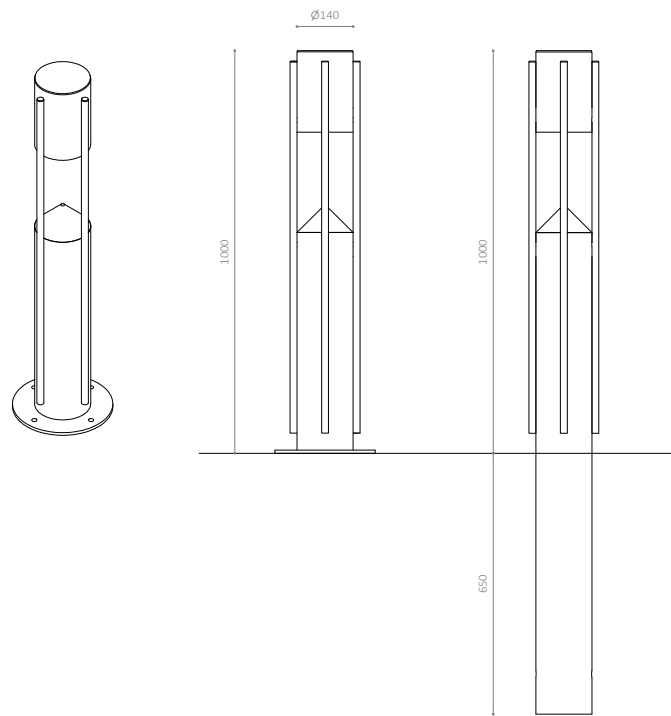


KONUS L1201





## KONUS L1201 - BOLLARD LIGHT

DESIGN: TORBEN RIX, OLE BRUHN

### LIGHT DISTRIBUTION

Indirect and rotationally symmetrical light distribution

### MATERIALS

**Lamp housing:** Hot-dip galvanised steel or powder coated, hot-dip galvanised steel

**Shade:** Polycarbonate clear. UV resistant

### DIMENSIONS

Height: 1000 mm

Lamp housing: Ø140 mm

Weight: 24,8 kg.

### LIGHT SOURCE

Type: E27. Light source is not included and must be ordered separately

### INSTALLATION

Embedding or flange mounting

### CONNECTION

3 cables max 5 x 10 mm<sup>2</sup>. Connection box and fuse are included

### CLASSIFICATION

IP44, IK10, Insulation safety class II