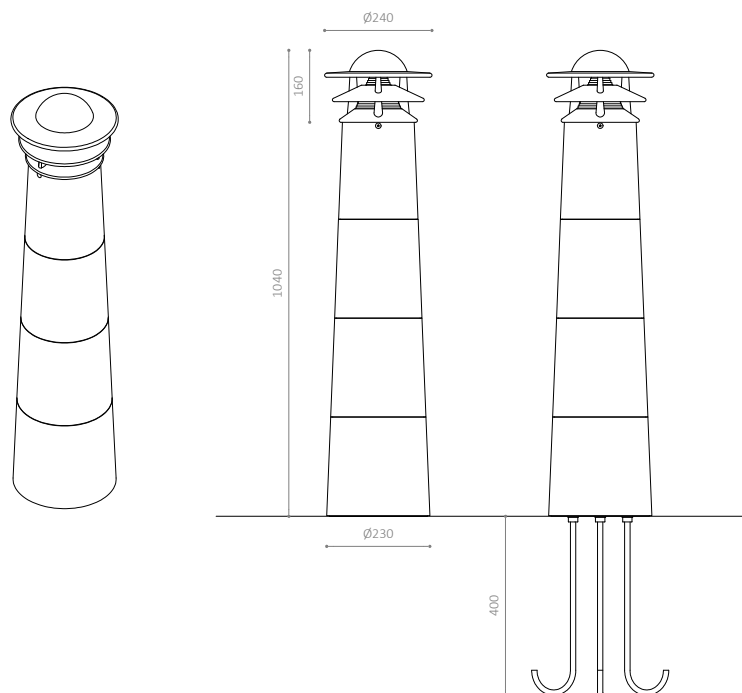


LIGHTHOUSE L209





LIGHTHOUSE L209 - BOLLARD LIGHT

DESIGN: PETER BYSTED

LIGHT DISTRIBUTION

Direct, rotationally symmetrical and diffused light distribution

MATERIALS

Lamp housing: Cast iron or powder coated cast iron

Shade: Satiné acrylic. UV resistant

Post: Cast iron or powder coated cast iron

DIMENSIONS

Height: 1039 mm
 Post: Conical: Bottom \varnothing 230 mm,
 top \varnothing 160 mm
 Lamp housing: \varnothing 240 mm. Height 160 mm
 Weight: 41,6 kg

LIGHT SOURCE

LED type: E27. Light source is not included and must be ordered separately

INSTALLATION

Embedding

CONNECTION

3 cables max 5 x 10 mm². Connection box and fuse are included

CLASSIFICATION

IP44, IK10, Insulation safety class II