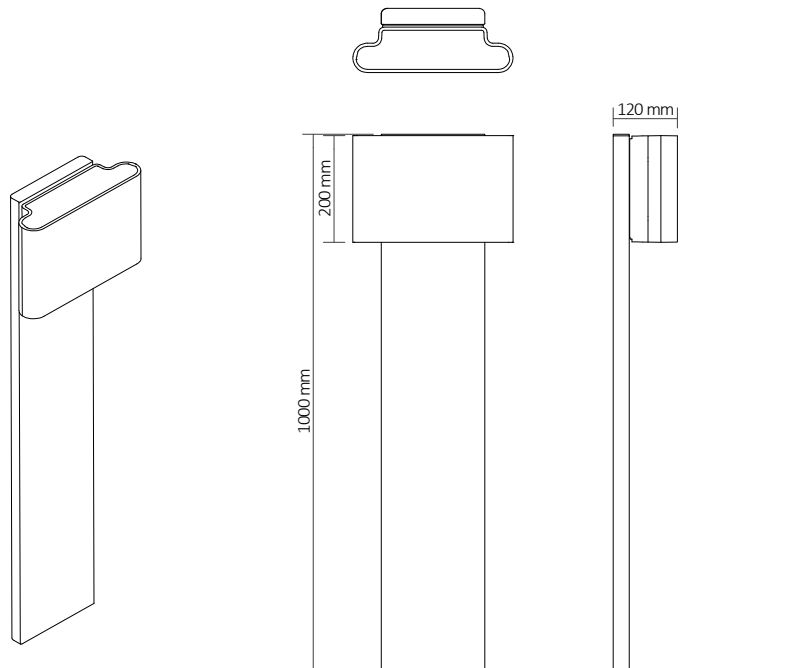


OUTFIT L901





OUTFIT L901 - BOLLARD LIGHT

DESIGN: ANNE QVIST DESIGN OFFICE

LIGHT DISTRIBUTION

Direct, symmetrical and diffused light distribution. Up- & downlight

MATERIALS

Lamp housing: Mold cast aluminum, powder coated

Shade: Polycarbonate Satiné-Blend. LED optimized

Post: Extruded aluminum, powder coated

DIMENSIONS

Height: 1000 mm
 Post: 194 x 30 mm
 Lamp housing: H:200 x W:300 x D:90 mm
 Weight: 8,8 kg

LUMINOUS FLUX

Luminous efficacy: 35 Lm/W
 Lumen, 80 Ra: 3000K: >595Lm, 4000K: >655Lm

LIGHT SOURCE

LED type: Philips Fortimo LEDstrip
 Operational life: >70.000 hours at Ta 25° C. L80B10
 Total consumption: Default 10W (max 17W)
 Colour temperature: 3000K, 4000K
 Colour rendering: CRI >80
 Colour accuracy: 3 steps SDCM

DRIVER

Driver type: Philips Xitanium
 Operational life: >50.000 hours
 Surge protection: >2 kV
 Control: No. Compatible with DALI and Casambi as optional extra

INSTALLATION

Embedding

CONNECTION

2 cables max 5 x 2,5 mm². 5-pole push-in terminal

CLASSIFICATION

IP56, IK10, Insulation safety class I