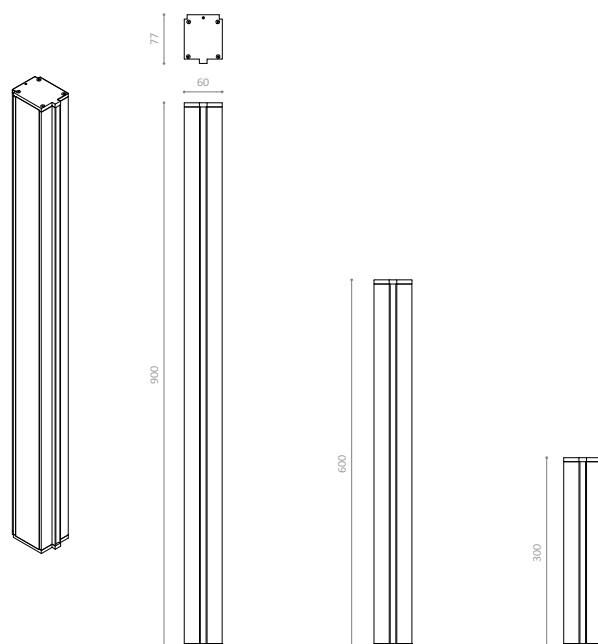


LINES L310U





LINES L310U-300 - WALL AND CEILING LIGHT

DESIGN: LUPLAU POULSEN ARKITEKTER

LIGHT DISTRIBUTION

Indirect, symmetrical and diffuse light distribution on two sides

MATERIALS

Lamp housing: End pieces in mold cast aluminum, peened or powder coated. Profiles in extruded aluminum, peened or powder coated

Shade: Saturated acrylic. UV resistant

DIMENSIONS

Lamp housing: H:300 x B:60 x D:77 mm
Weight: 1,0 kg

LUMINOUS FLUX

Luminous efficacy: 75,0 Lm/W @3000K, 80Ra
Lumen: >1575Lm @3000K, 80Ra

LIGHT SOURCE

LED type: Philips Fortimo LEDstrip
Operational life: >70.000 hours at Ta 25° C. L80B10
Total consumption: Standard 8W (max 21W)
Colour temperature: 3000K, 4000K
Colour rendering: CRI >80 (Std.), CRI>90 (Opt.)
Colour accuracy: 3 steps SDCM

DRIVER

Driver type: Philips Xitanium
Operational life: >100.000 hours
Surge protection: >2 kV
Control: DALI, TouchDIM (TD)

INSTALLATION

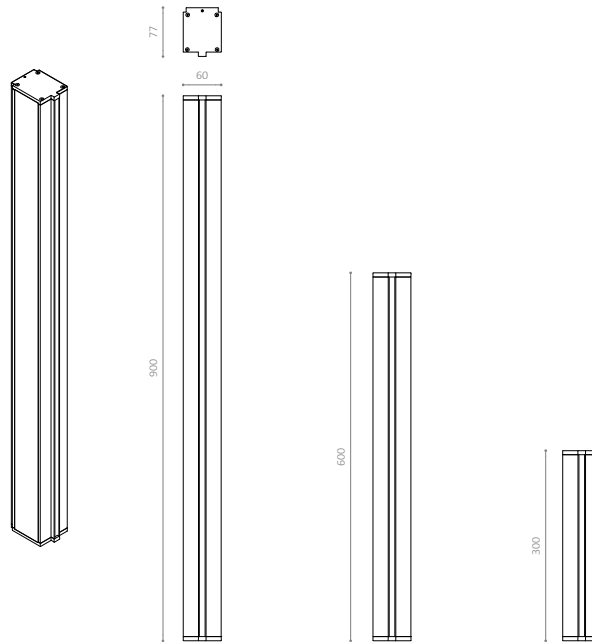
Wall or ceiling mount

CONNECTION

Access backwards. 2 cables max 3 x 1,5 mm²

CLASSIFICATION

IP44, IK06, Insulation safety class I



LINES L310U-600 - WALL AND CEILING LIGHT

DESIGN: LUPLAU POULSEN ARKITEKTER

LIGHT DISTRIBUTION

Indirect, symmetrical and diffuse light distribution on two sides

MATERIALS

Lamp housing: End pieces in mold cast aluminum, peened or powder coated. Profiles in extruded aluminum, peened or powder coated

Shade: Saturated acrylic. UV resistant

DIMENSIONS

Lamp housing: H:600 x B:60 x D:77 mm
Weight: 1,7 kg

LUMINOUS FLUX

Luminous efficacy: 88,4 Lm/W @3000K, 80Ra
Lumen: >3536Lm @3000K, 80Ra

LIGHT SOURCE

LED type: Philips Fortimo LEDstrip
Operational life: >70.000 hours at Ta 25° C. L80B10
Total consumption: Standard 16W (max 40W)
Colour temperature: 3000K, 4000K
Colour rendering: CRI >80 (Std.), CRI>90 (Opt.)
Colour accuracy: 3 steps SDCM

DRIVER

Driver type: Philips Xitanium
Operational life: >50.000 hours
Surge protection: >2 kV
Control: DALI, TouchDIM (TD)

INSTALLATION

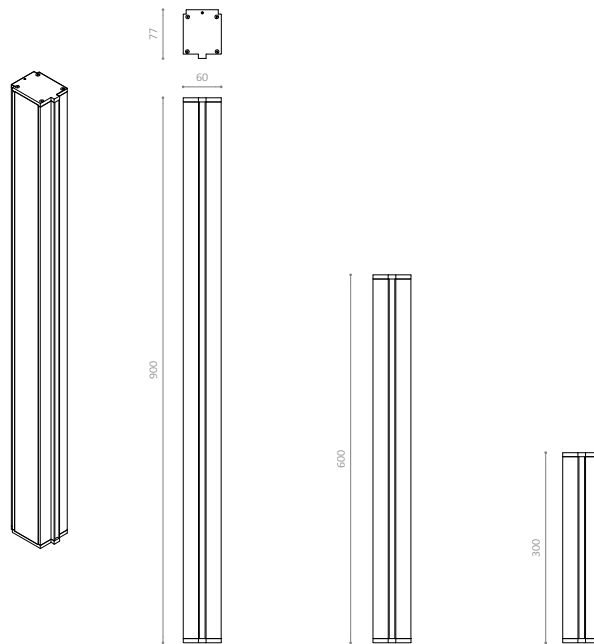
Wall or ceiling mount

CONNECTION

Access backwards. 2 cables max 3 x 1,5 mm²

CLASSIFICATION

IP44, IK06, Insulation safety class I



LINES L310U-900 - WALL AND CEILING LIGHT

DESIGN: LUPLAU POULSEN ARKITEKTER

LIGHT DISTRIBUTION

Indirect, symmetrical and diffuse light distribution on two sides

MATERIALS

Lamp housing: End pieces in mold cast aluminum, peened or powder coated. Profiles in extruded aluminum, peened or powder coated

Shade: Saturated acrylic. UV resistant

DIMENSIONS

Lamp housing: H:900 x B:60 x D:77 mm
Weight: 2,3 kg

LUMINOUS FLUX

Luminous efficacy: 94,0 Lm/W @3000K, 80Ra
Lumen: >3760Lm @3000K, 80Ra

LIGHT SOURCE

LED type: Philips Fortimo LEDstrip
Operational life: >70.000 hours at Ta 25° C. L80B10
Total consumption: Standard 20W (max 40W)
Colour temperature: 3000K, 4000K
Colour rendering: CRI >80 (Std.), CRI>90 (Opt.)
Colour accuracy: 3 steps SDCM

DRIVER

Driver type: Philips Xitanium
Operational life: >50.000 hours
Surge protection: >2 kV
Control: DALI, TouchDIM (TD)

INSTALLATION

Wall or ceiling mount

CONNECTION

Access backwards. 2 cables max 3 x 1,5 mm²

CLASSIFICATION

IP44, IK06, Insulation safety class I